

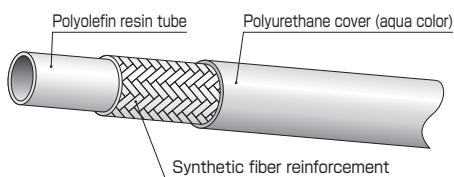
## 34PW Series

For pure water, urethane forming m/c, food, or drinking water

### 34PW

#### Features

- High water-barrier performance
- Excellent chemical durability
- Anti-taint property
- The core tubing material complies with NSF and No.370 of the Ministry of Health and Welfare, Japan.



Part No.	Size			Max. working pressure		Min. burst pressure		Min. bending radius (mm)	Weight (g/m)	Coupling	
	Size No.	I.D. (in.)	I.D. (mm)	O.D. (mm)	(MPa)	(PSI)	(MPa)				(PSI)
34PW-02-LBU	02	1/8	3.6	8.3	20.0	2,900	80.0	11,600	25	45	Swage
34PW-04-LBU	04	1/4	6.3	12.5	19.5	2,850	78.0	11,400	30	95	
34PW-06-LBU	06	3/8	9.5	16.4	16.0	2,300	64.0	9,200	50	134	
34PW-08-LBU	08	1/2	12.7	20.3	14.0	2,000	56.0	8,000	75	201	
34PW-12-LBU	12	3/4	19.0	28.7	10.5	1,500	42.0	6,000	125	368	
34PW-16-LBU	16	1	25.4	36.5	10.5	1,500	42.0	6,000	200	554	

■ Appropriate fluid : pure water, chemicals (isocyanate), etc.

■ Working temperature range : -30 to +70°C

■ Assembly of couplings with hose is to be done at our factory.

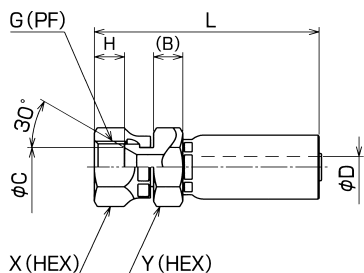
🔗 Each pressure in the above table represents a pressure with the use of a PW coupling.

🔗 "-LBU" stands for light blue.

[Swage type]

(For 34PW)

**SE (PW coupling)**

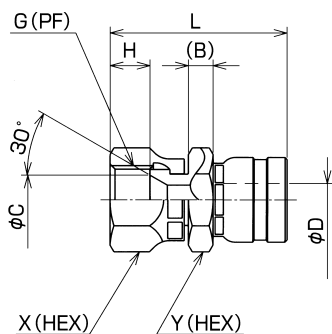


**Stainless steel type (SUS316)**

Part No.	Size No.	G	B	C	Min. I.D. $\phi D$	H	L	X (HEX)	Y (HEX)	Weight (g)	Pusher	Die	
												First	Second
SE-G-04-PW	04	1/4	8.5	9.0	4.0	8.0	63	19	19	80	PSE-04	SP3-04-VC	-
SE-G-06-PW	06	3/8	9.5	12.0	6.9	9.0	71	22	22	110	PSE-06	SP3-06-VC	-
SE-G-08-PW	08	1/2	9.0	15.5	10.0	12.5	80	27	27	170	PSE-08	SP3-08-VC	-
SE-G-12-PW	12	3/4	10.0	21.0	16.0	13.5	86	36	36	270	PSE-12	SPH-12-1-ST	SPH-12-VC
SE-G-16-PW	16	1	11.0	28.0	20.9	16.5	105	41	41	410	PSE-16	SPH-16-1-ST	SPH-16-37VC

- Material : stainless steel SUS316
- Assembly of couplings with hose is to be done at our factory.
- Ultrasonic cleaning is available only for the couplings, if required. Contact us for details.
- As for the steel couplings; sizes 04, 06, and 08 for N3130 series, and sizes 12 and 16 for 3R80 can also be used.

**SE (PWL coupling) for under 7.0 MPa**

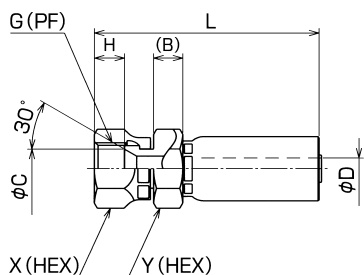


**Stainless steel type (SUS316)**

Part No.	Size No.	G	B	C	Min. I.D. $\phi D$	H	L	X (HEX)	Y (HEX)	Weight (g)	Pusher	Die
SE-G-04-PWL	04	1/4	6.0	9.0	5.0	8.0	42	19	19	60	PSE-04-PWL	SPP-04-VC
SE-G-06-PWL	06	3/8	6.0	12.0	8.0	9.5	44	22	22	70	PSE-06-PWL	SPP-06-VC
SE-G-08-PWL	08	1/2	8.0	15.5	11.0	12.5	54	27	27	130	PSE-08-PWL	SPP-08-VC
SE-G-12-PWL	12	3/4	10.0	21.0	16.0	13.5	64	36	36	230	PSE12-PWL	SPP-12-VC
SE-G-16-PWL	16	1	10.0	28.0	22.0	16.5	67	41	41	310	PSE-16-PWL	SPP-16-VC

- Maximum working pressure (static pressure) : 7.0MPa
- Material : stainless steel SUS316
- Assembly of couplings with hose is to be done at our factory.
- Ultrasonic cleaning is available only for the couplings, if required. Contact us for details.
- As for the steel couplings; sizes 04, 06, and 08 for N3130 series, and sizes 12 and 16 for 3R80 can also be used.

**SE**

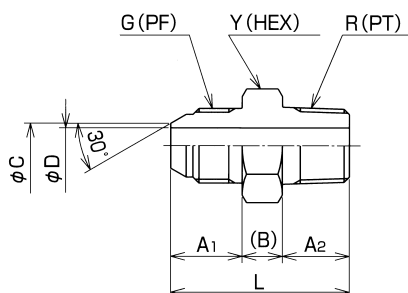


**Stainless steel type (SUS304)**

Part No.	Size No.	G	B	C	Min. I.D. $\phi D$	H	L	X (HEX)	Y (HEX)	Weight (g)	Pusher	Die	
												First	Second
SSE-PF-02-S	02	1/8	4.0	7.0	1.8	7.0	42	14	14	25	PSE-02-001	SP3-02-001	-
SE-PF-04-S	04	1/4	8.5	9.5	3.9	8.0	63	19	19	80	PSE-04	SP3-04-1-ST	SP3-04
SE-PF-06-S	06	3/8	9.5	12.5	6.8	9.5	71	22	22	110	PSE-06	SP3-06-1-ST	SP3-06
SE-PF-08-S	08	1/2	9.0	16.0	10.0	12.0	80	27	27	170	PSE-08	SP3-08-1-ST	SP3-08
SE-PF-12-3R-S	12	3/4	10.5	21.5	16.0	13.0	87	36	36	280	PSE-12	SPH-12-1-ST	SPH-12
SE-PF-16-3R-S	16	1	11.0	27.5	20.9	15.0	105	41	41	400	PSE-16	SPH-16-1-ST	SPH-16

- Material : stainless steel SUS304
- Assembly of couplings with hose is to be done at our factory.
- Ultrasonic cleaning is available only for the couplings, if required. Contact us for details.
- As for the steel coupling, size 02 for 3130 series, sizes 04, 06, and 08 for N3130 series, and sizes 12 and 16 for 3R80 can also be used.

**Adapter for 34PW**



**Stainless steel type (SUS316)**

Part No.	Size No.	G	R	A <sub>1</sub>	A <sub>2</sub>	B	C	Min. I.D. $\phi D$	L	Y (HEX)	Weight (g)
010-04-04-PW	04	1/4	1/4	13	14	8.0	7.0	5.5	35	19	40
010-06-06-PW	06	3/8	3/8	16	15	9.0	10.0	8.0	40	22	60
010-08-08-PW	08	1/2	1/2	19	18	10.0	13.0	11.0	47	27	100
010-12-12-PW	12	3/4	3/4	21	20	12.0	19.0	16.0	53	36	180
010-16-16-PW	16	1	1	23	23	13.0	25.0	22.0	59	41	250

- Material : stainless steel SUS316
- Ultrasonic cleaning is available only for the couplings, if required. Contact us for details.